

DRAWING NO.
SD079848

REV	DATE	DESCRIPTION	ECO	BY	C'H'K
K	05/22/2015 00:00:00 AM	FORM REQUEST & PARTS	40359	SV	MB

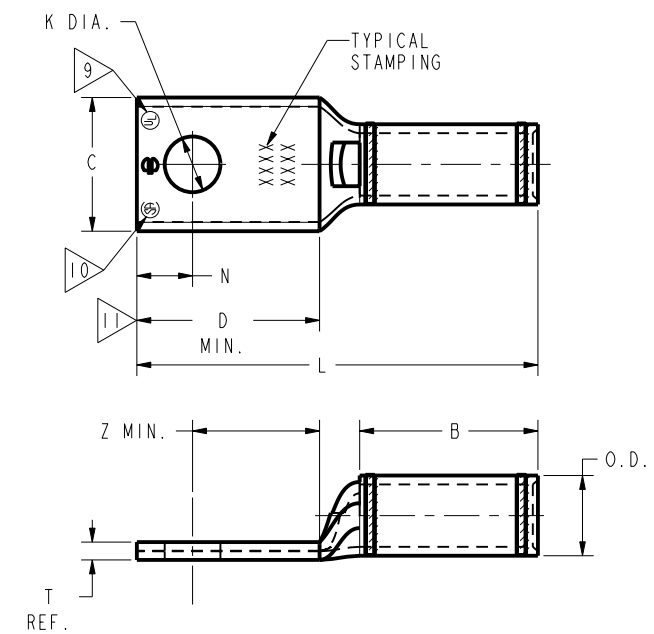
CATALOG NUMBER	STRANDED COPPER CONDUCTOR ACCOMMODATED			BOLT SIZE	METRIC BOLT SIZE	DIMENSIONS									
	CODE (AWG)	NAVY	METRIC SIZE (CLASS 2)			B	C	D MIN.	K DIA.	L	N	O.D.	T REF.	Z MIN.	
YA4CL1	#4 AWG	40	-----	8-10	M5	.81 [21]	.50 [13]	-----	.21 [5]	1.58 [40]	.25 [6]	.34 [9]	.09 [2]	.24 [6]	
YA4CL1U				-----	-----	-----	-----	.50 [13]	.52 [13]	-----	1.57 [40]		-----	.09 [2]	-----
YA4CL				1/4	M6	.50 [13]	-----	.27 [7]	1.74 [44]	.31 [8]	.09 [2]		.33 [8]		
YA4CLU				-----	-----	.50 [13]	.61 [15]	-----	1.67 [42]	-----	.09 [2]		-----		
YA4CL3				5/16	M8	.50 [13]	-----	.34 [9]	1.79 [45]	.41 [10]	.09 [2]		.42 [11]		
YA4CL4				3/8	-----	.58 [15]	-----	.40 [10]	1.92 [49]	.41 [10]	.08 [2]		.42 [11]		
YA4CL4U				-----	-----	.58 [15]	.86 [22]	-----	1.95 [50]	-----	.08 [2]		-----		
YA4CL6	#4 AWG	40	-----	1/2	M12	.81 [21]	.71 [18]	-----	.53 [13]	2.20 [56]	.53 [13]	.34 [9]	.06 [2]	.55 [14]	

CONNECTOR SIZE	TOLERANCES					
	B	C	K DIA.	L	N	O.D.
-8C THRU -25	±.06	±.04	±.02	±.09	±.03	±.01
-26 THRU -34	±.08	±.04	±.02	±.12	±.03	±.01
-35 AND UP	±.09	±.06	±.02	±.15	±.06	±.01

TOLERANCE BLOCK

CATALOG NUMBER	COLOR CODE	DIE INFORMATION		MECHANICAL				HYDRAULIC				DIELESS (# CRIMPS)	WIRE STRIP LENGTH		
		DIE INDEX	TYPE	Y122CMR Y1MRTC	OUR840	MD6 MD7	MD6--R2 MD7-34R	Y500CT PATMD6 PAT600	Y34A Y34B Y34BH	Y35, Y39 Y750, PAT750	Y46 PAT46			Y45	Y48B
YA4CL1 YA4CL1U YA4CL YA4CLU YA4CL3 YA4CL4 YA4CL4U YA4CL6	GRAY	8 346	GRAY DIE SET NEST INDENTOR	GRAY (2)	X4CRT(1)	X4CRT(1) W4CRT(1) W4CVT(1)	X4CRT(1) W4CRT(1) W4CVT(1)	X4CRT(1) W4CRT(1) W4CVT(1)	----- A4CD(1) B4CD(1)	U4CRT(1) U6CABT(1)	U4CRT(1) U6CABT(1)	U4CRT(1) U6CABT(1)	----- -----	MECHANICAL: MY29-3 (1) MY29-11 (1) MRC840 (1) HYDRAULIC: Y644 (1) Y81KFT (1) Y4PC834 (1)	7/8"
									Y34PR	Y34PR	Y34PR	Y34PR			

- NOTES:
- MATERIAL: COPPER TUBING.
 - FINISH: TIN PLATED.
"FOR ALTERNATIVE FINISH ADD ONE OF THE FOLLOWING SUFFIXES:
NICKEL = NK, LEAD = LD, BARE = BR, SILVER = SV"
 - CATALOG # PT6515 ADAPTOR IS REQUIRED TO USE "U" DIES IN Y45 SERIES TOOLS.
 - CATALOG # PUADP-1 ADAPTOR IS REQUIRED TO USE "U" DIES IN Y46 SERIES TOOLS.
 - Y35P3 INDENTOR ADAPTOR REQUIRED FOR Y34PR INDENTOR.
 - PERMANENT DIE IN TOOLING.
 - DIMENSIONS IN BRACKETS [] ARE IN MILLIMETERS ROUNDED OFF TO THE NEAREST MILLIMETER, UNLESS OTHERWISE NOTED, AND ARE FOR REFERENCE ONLY.
 - FOR USE BY CUSTOMERS THAT HAVE THIS HYPRESS™. NO NEW Y34A HYPRESS™ TOOLS ARE BEING PROCESSED. Y34A USES A--D NEST DIES ONLY.
 - CONNECTORS ARE UL LISTED; UNDRILLED VERSIONS ARE NOT UL LISTED.
 - CONNECTORS ARE CSA CERTIFIED. UNDRILLED VERSIONS ARE NOT CSA CERTIFIED.
 - FOR UNDRILLED VERSIONS ADD SUFFIX "-U" TO END OF CATALOG NUMBER.
FOR UNDRILLED VERSIONS, USE D MIN. = N MAX. + Z MIN.
 - "X", "W-RT", "W-VT", "U" & "L" DIE SETS ARE COLOR CODED. "A", "B" AND "C" DIES ARE NOT COLOR CODED. NESTS AND INDENTOR TYPE ARE NOT COLOR CODED.



REFERENCE: SE209240

TO ORDER BURNDY® PRC	HYLUG™ COPPER	
	ITEM NO: N/A	SCALE: 1:1
CAT. NO: YA4C-L- (TABLE)		
DRAWN BY: C.RACCANO	8/16/77	
CHECKER: CAR	6/16/77	
DSN APPVL: LB	6/16/77	
MFG APPVL: N/A	N/A	
QA APPVL: C.ACKERMAN	9/30/94	
MKT APPVL: T.NELSON	9/07/94	
PROD FAM: CM&R COMPRESSION	DRAWING NO	REV
PROJECT #: --	SIZE	
DOCUMENT TYPE: Sales	D	SD079848
REL LEVEL: Released		SHEET 4 OF 17

REV. PED200